

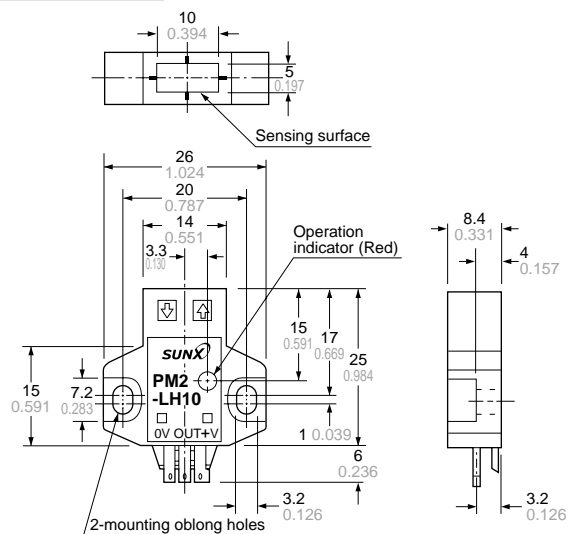
Convergent Reflective Micro Photoelectric Sensor

The PM2 series of micro photoelectric sensors offers a convergent reflective sensing solution for incredibly stable sensing. Because the sensor only detects in a limited area, it is not affected by background objects, color, or reflectivity. Small objects down to 0.05mm can be detected reliably as well. Three sensor head styles are available in both connector and cable types. One control output is provided (NPN).

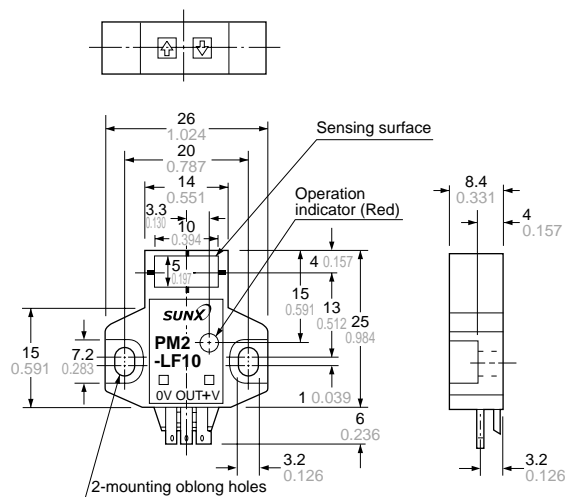
Model Name	Type	Output Operation	Output Configuration	Emitting Element	Max. Range (mm)	Max. Range (in)
Sort ▲ ▼	Sort ▲ ▼	Sort ▲ ▼	Sort ▲ ▼	Sort ▲ ▼	Sort ▲ ▼	Sort ▲ ▼
PM2-LF10	Convergent Reflective, Front Sensing, Connector Type	Light-ON	NPN	Infrared LED	8	0.315
PM2-LF10B	Convergent Reflective, Front Sensing, Connector Type	Dark-ON	NPN	Infrared LED	8	0.315
PM2-LH10	Convergent Reflective, Top Sensing, Connector Type	Light-ON	NPN	Infrared LED	8	0.315
PM2-LH10B	Convergent Reflective, Top Sensing, Connector Type	Dark-ON	NPN	Infrared LED	8	0.315
PM2-LL10	Convergent Reflective, L Type, Top Sensing, Connector Type	Light-ON	NPN	Infrared LED	8	0.315
PM2-LL10B	Convergent Reflective, L Type, Top Sensing, Connector Type	Dark-ON	NPN	Infrared LED	8	0.315

DIMENSIONS (Unit: mm in)

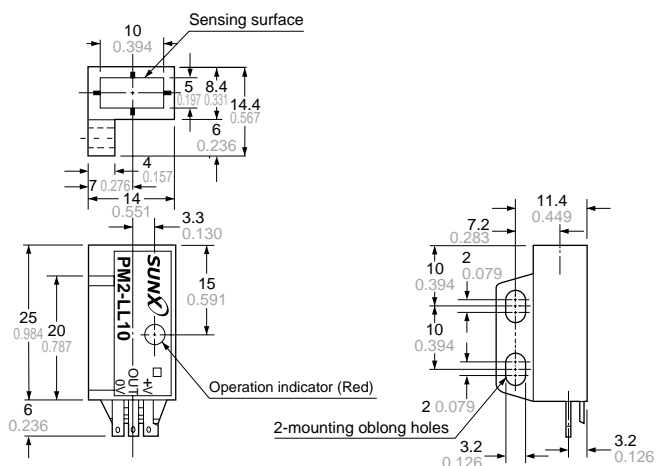
PM2-LH10
PM2-LH10B Sensor



PM2-LF10
PM2-LF10B Sensor



PM2-LL10
PM2-LL10B Sensor



※ Terminal part (Connector type)

